

# OWNER'S MANUAL



## PORTABLE AIR CONDITIONER

Model: CH-M12K6B

For proper operation, please read and keep this manual carefully.

Designed by Cooper&Hunter International Corporation, Oregon, USA  
[www.cooperandhunter.com](http://www.cooperandhunter.com)

# Content

## Operation Notices

Operation Environment .....	1
Safety Warning .....	2
Part's Name .....	3

## Operation Guide

Operation Introduction for Control Panel .....	4
Use for air conditioner .....	6
Using the remote control .....	7
Buttons on Remote Controller .....	8
Introduction for Icons on Display Screen .....	8
Introduction for Buttons on Remote Controller .....	9
Function Introduction for Combination Buttons .....	12
Operation Guide .....	13
Replacement of Batteries in Remote Controller .....	13

## Maintenance

Clean and Maintenance .....	14
-----------------------------	----

## Malfunction

Malfunction analysis .....	16
----------------------------	----

This appliance is not intended for use by persons (including children) with reduced physical, sensory or mental capabilities, or lack of experience and knowledge, unless they have been given supervision or instruction concerning use of the appliance by a person responsible for their safety. Children should be supervised to ensure that they do not play with the appliance.



This marking indicates that this product should not be disposed with other household wastes throughout the EU. To prevent possible harm to the environment or human health from uncontrolled waste disposal, recycle it responsibly to promote the sustainable reuse of material resources. To return your used device, please use the return and collection systems or contact the retailer where the product was purchased. They can take this product for environmental safe recycling.

# Explanation of Symbols

---



**DANGER**

Indicates a hazardous situation that, if not avoided, will result in death or serious injury.



**WARNING**

Indicates a hazardous situation that, if not avoided, could result in death or serious injury.



**CAUTION**

Indicates a hazardous situation that, if not avoided, may result in minor or moderate injury.

***NOTICE***

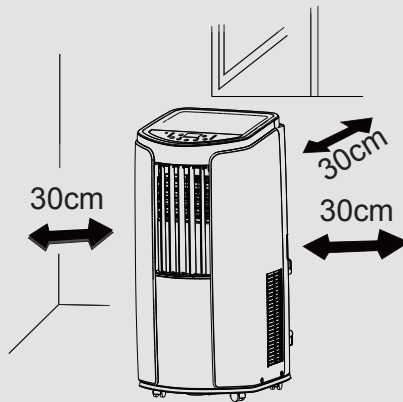
Indicates important but not hazard-related information, used to indicate risk of property damage.



Indicates a hazard that would be assigned a signal word **WARNING** or **CAUTION**.

## Operation Environment

- The air conditioner must be operated within the temperature range: 16°C ~ 35°C.
- The appliance is for indoor use only.
- The appliance must be positioned so that the plug is accessible.
- This air conditioner can only be used for family, not for commercial industry.
- Reserved space around the air conditioner should be 30cm(12") at least.
- Do not operate the air conditioner at humid environment.
- Please keep air inlet and air outlet clean, no obstacles.
- During operation, close doors and windows to improve cooling effect.
- Please put the air conditioner at smooth and flat ground for operation to avoid noise and vibration.
- This air conditioner is equipped with castors. Castors should slide at smooth and flat ground.
- Prohibit inclining or turning over the air conditioner. If there's abnormality, please disconnect power immediately and contact dealer.
- Avoid direct sunshine.

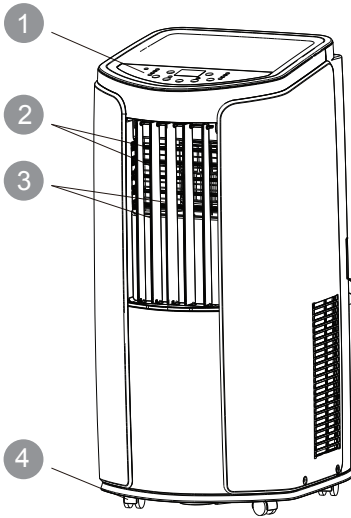




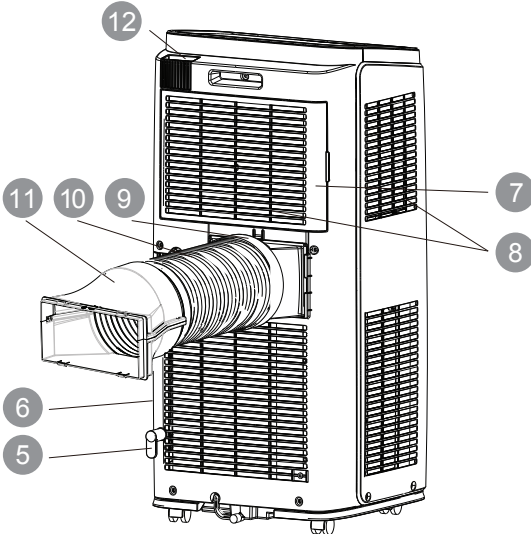
## Safety Warning

- This appliance can be used by children aged from 8 years and above and persons with reduced physical, sensory or mental capabilities or lack of experience and knowledge if they have been given supervision or instruction concerning use of the appliance in a safe way and understand the hazards involved.
- Children shall not play with the appliance.
- Cleaning and user maintenance shall not be made by children without supervision.
- Before operation, please confirm whether power specification complies with that on nameplate.
- Before cleaning or maintaining the air conditioner, please turn off air conditioner and pull out the power plug.
- Make sure the power cord hasn't been pressed by hard objects.
- Do not pull or drag the power cord to pull out the power plug or move the air conditioner.
- Do not insert or pull out the power plug with wet hands.
- Please use the grounded power. Make sure the grounding is reliable.
- If the supply cord is damaged, it must be replaced by the manufacturer or its service agent or a similarly qualified person in order to avoid a hazard.
- If the power cord is damaged, it must be replaced by manufacturer or professional person.
- If abnormal condition occurs (e.g. burned smell), please disconnect power at once and then contact local dealer.
- When nobody is taking care of the unit, please turn it off and remove the power plug or disconnect power.
- Do not splash or pour water on air conditioner. Otherwise, it may cause short circuit or damage to air conditioner.
- If drainage hose is used, ambient temperature can't be lower than 0°C. Otherwise, it will cause water leakage to air conditioner.
- Prohibit operating heating equipment around the air conditioner.
- Far away from fire source, inflammable and explosive objects.
- Children and disabled people are not allowed to use the unit without supervision.
- Keep children from playing or climbing on the air conditioner.
- Do not put or hang dripping objects above the air conditioner.
- Do not repair or disassemble the air conditioner by yourself.
- Prohibit inserting any objects into the air conditioner.

# Part's Name



- ① Controller panel
- ② Guide louver
- ③ Swing louver
- ④ Castor
- ⑤ Wire-fixing hook
- ⑥ Plug of power cord
- ⑦ Gastor
- ⑧ Air inlet
- ⑨ Joint A
- ⑩ Heat discharge pipe
- ⑪ Joint B+C
- ⑫ Remote controller hook



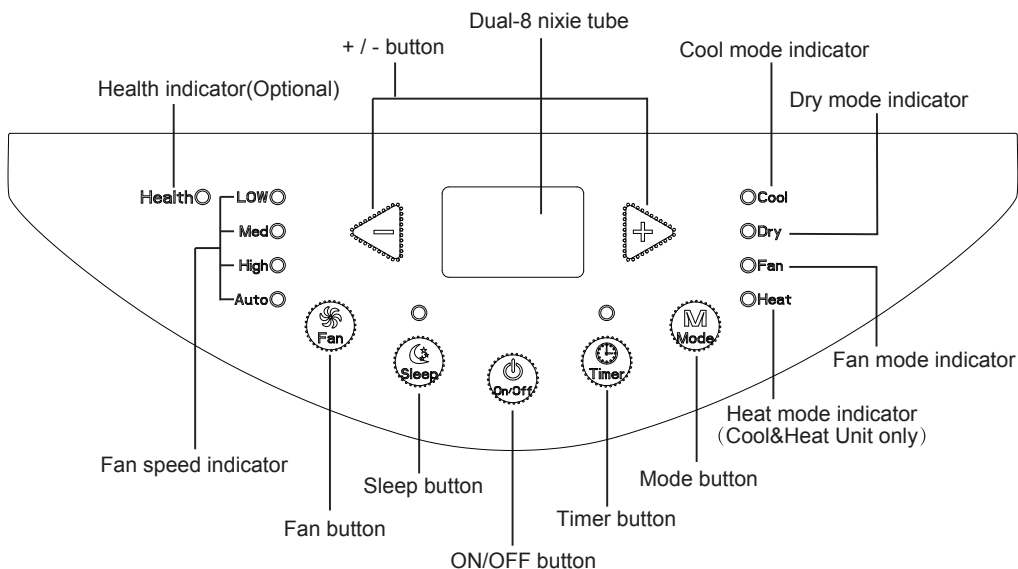
Remote controller

## NOTICE:

Installation accessories can't be discarded.

# Operation Introduction for Control Panel

## Name of control panel



## Operation of control panel

### NOTICE:

- After putting through the power, the air conditioner will give out a sound. After that, you can operate the air conditioner by the control panel.
- Under ON status, after each pressing of the button on control panel, the air conditioner will give out a sound. Meanwhile, corresponding indicator on control panel will be bright.
- Under OFF status, dual-8 nixie tube on control panel won't display. Under ON status, dual-8 nixie tube on control panel will display set temperature under cooling mode and Heating mode (Cool&Heat Unit only), while it won't display under other modes.

### 1 ON/OFF button

Pressing this button can turn on or turn off the air conditioner.

### 2 + / - button

Under cooling mode, press "+" or "-" button to increase or decrease set temperature by 1°C. Set temperature range is 16°C~30°C Under auto, drying or fan mode, this button is invalid.

# Operation Introduction for Control Panel

## 3 Mode button

Press this button and the mode will circulate according to below sequence:  
Cool→Dry→Fan→Heat(Cool&Heat Unit only)

Cool: Under this mode, cooling mode indicator is bright. Dual-8 nixie tube displays set temperature. Temperature setting range is 16°C~30°C.

Dry: Under this mode, drying mode indicator is bright. Dual-8 nixie tube won't display.

Fan: Under this mode, the air conditioner only blow fan. Fan indicator is bright. Dual-8 nixie tube won't display.

Heat(Cool&Heat Unit only): Under this mode, heating mode indicator is bright. Dual-8 nixie tube displays set temperature. Temperature setting range is 16°C~30°C.

## 4 Fan button

Press this button and the fan speed will circulate as "low speed→ medium speed → high speed→ auto fan→ low speed".

## 5 Timer

Press timer button to enter into timer setting mode. Under this mode, press " + " or " - " button to adjust the timer setting. Timer setting will increase or decrease 0.5 hour by pressing " + " or " - " button within 10 hours, while timer setting will increase or decrease 1 hour by pressing " + " or " - " button beyond 10 hours. After timer setting is finished, the unit will display temperature if there's no operation for 5s. If timer function is started up, the upper indicator will keep the display status. Others, it won't be displayed. Under timer mode, press timer button again to cancel timer mode.

## 6 Sleep

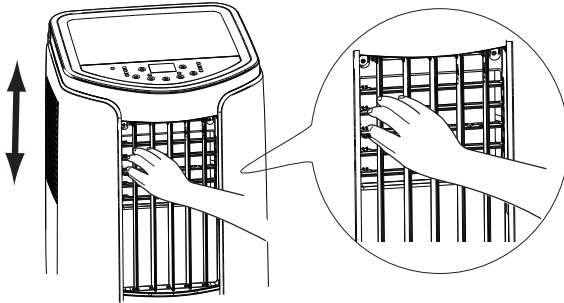
- Press sleep button to enter into sleep mode. If the controller operates at cooling mode, after sleep mode is started up, preset temperature will increase by 1°C within 1 hour ;preset temperature will increase by 2°C within 2 hours and then the unit will operate at this temperature all the time;
- Press sleep button to enter into sleep mode. If the controller operates at heating mode, after sleep mode is started up, preset temperature will decrease by 1°C within 1 hour ;preset temperature will decrease by 2°C within 2 hours and then the unit will operate at this temperature all the time;
- Sleep function is not available for fan mode, drying mode and auto mode. If sleep function is started up, the upper indicator will keep the display status. Others, it won't be displayed.

# Use for air conditioner

## To change air flow direction

### 1. Up/down air flow direction

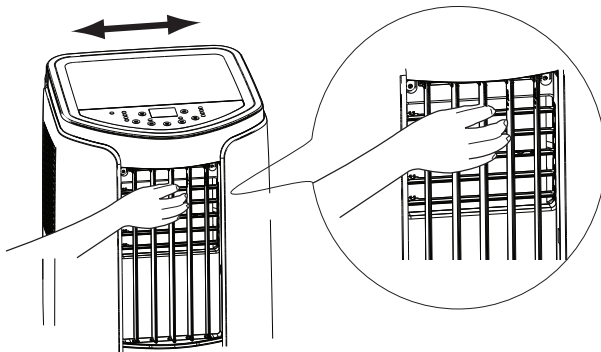
- Hold the horizontal louvers as shown in the diagram and adjust the air flow direction.
- Do not adjust the horizontal louvers to the lowest or the highest position in the COOL or DRY mode with the fan speed set to Low for an extended period of time, Condensation may form on the louvers.



### 2. Left/right air flow direction Hold the vertical louver as shown in the diagram and adjust the air flow direction.

#### ▲ CAUTION:

- Do not adjust the vertical louvers to the extreme left or right in the COOL or DRY mode with the fan speed set to Low for an extended period of time. Condensation may form on the louvers.



# Using the remote control

This is a general use remote controller, it could be used for the air conditioners with multifunction; For some function, which the model doesn't have, if press the corresponding button on the remote controller that the unit will keep the original running status.

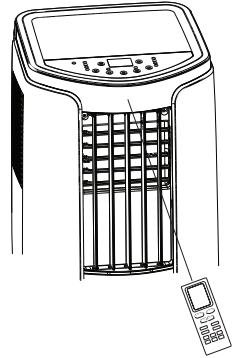
## How to use the remote control

Point the remote control toward the Signal receiver and press the desired button. The unit generates a beep when it receives the signal.

- Make sure nothing, such as curtains, blocks the signal receiver window.
- The signal effective distance is 7m.

### ⚠ CAUTION:

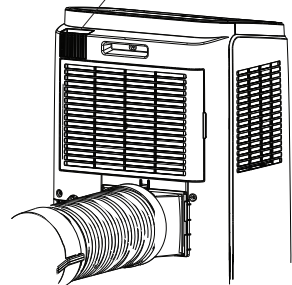
- Do not expose the receiver window to direct sunlight. This may adversely affect its operation.
- Use of certain fluorescent lamp in the same room may interfere with transmission of the signal.
- Do not leave the remote control in direct sunlight or near a heater. Protect the remote control from moisture and shock.



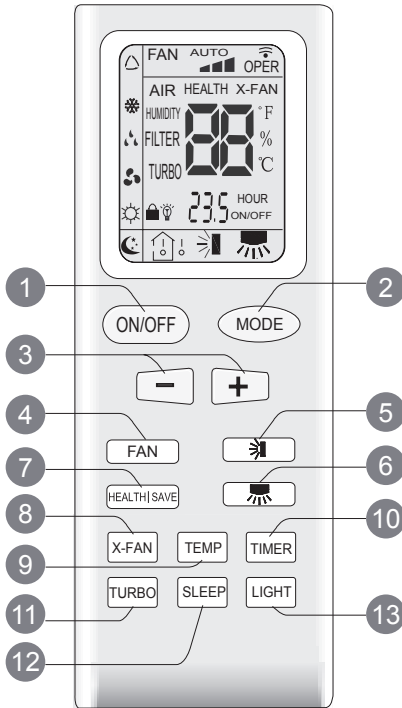
### To prevent the remote control from being misplaced, hook it to the unit when not in use.

When attached, to remove the remote control from the unit, lift the remote control up slightly and pull it out.

Remote control hook

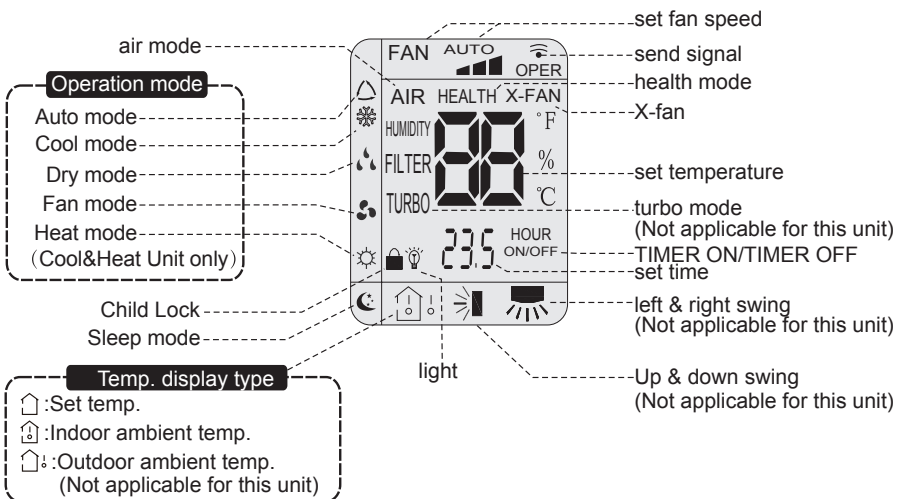


# Buttons on remote controller



- 1 ON/OFF button
- 2 MODE button
- 3 +/- button
- 4 FAN button
- 5 button (Not applicable for this unit)
- 6 button (Not applicable for this unit)
- 7 HEALTH|SAVE button
- 8 X-FAN button  
(Note: X-FAN is same with BLOW)
- 9 TEMP button
- 10 TIMER button
- 11 TURBO button  
(Not applicable for this unit)
- 12 SLEEP button
- 13 LIGHT button

# Introduction for icons on display screen



# Introduction for buttons on remote controller

## Note:

- After putting through power, air conditioner will give out a sound and operation indicator "⏻" is ON (red indicator). You can operate the air conditioner through the remote controller.
- At ON status, after each pressing button on remote controller, the signal icon "📶" on remote controller will flash once. Air conditioner will give out a sound, which indicates the signal has been sent to air conditioner.
- At OFF status, display screen on remote controller displays set temperature. At on status, display screen on remote controller displays the corresponding startup function's icon.

## 1 ON/OFF button

Press this button can turn on or turn off the air conditioner. After turning on the unit, operation indicator "⏻" on the unit is ON (green indicator. Color may be different for different models) and the unit gives out a sound.

## 2 MODE button

Press this button can select your required operation mode.



- After selecting auto mode, air conditioner will operate automatically according to ambient temperature. Set temperature can't be adjusted and also can't be displayed. Press "FAN" button can adjust fan speed.
- After selecting cool mode, air conditioner operates under cool mode. Cool indicator "❄️" on the unit is ON. You can press "+" or "-" button to adjust set temperature. Press "FAN" button can adjust fan speed.
- After selecting dry mode, air conditioner operates under dry mode at low speed. Dry indicator "💧" on the unit is ON. Under dry mode, fan speed can't be adjusted.
- After selecting fan mode, air conditioner operates only under fan mode, All mode indicators on the unit is OFF. Operation indicator is ON. Press "FAN" button can adjust fan speed.
- After selecting heat mode, air conditioner operates under heat mode. Heat indicator "☀️" on the unit is ON. You can press "+" or "-" button to adjust set temperature. Press "FAN" button to adjust fan speed.  
(Cool&Heat Unit only)



# Introduction for buttons on remote controller

## Note:

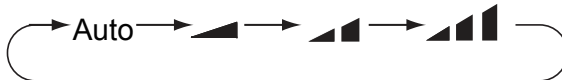
For preventing cold wind, after starting up heating mode, indoor fan will blow fan after delaying 1-5min. (Details time is decided by indoor ambient temperature)  
Temperature setting range on remote controller: 16°C -30°C . Fan speed setting range: auto, low speed, medium speed and high speed.

## 3 "+" or "-" button

- After each pressing of "+" or "-" button, it can increase or decrease set temperature 1°C . Hold "+" or "-" button, 2s later, set temperature on remote controller will change quickly. After reaching to your required time, loosen the button. Temperature indicator on the unit will also change accordingly. (Temperature can't be adjusted under auto mode)
- Under TIMER ON, TIMER OFF or Clock setting, you can press "+" or "-" button to adjust time. (Refer to TIMER button for details)

## 4 FAN button

Pressing this button can set fan speed circularly as: auto (AUTO), low( ▲ ), medium( ▲▲ ), high( ▲▲▲ ).



## Note:

- Under AUTO Speed, IDU fan motor will adjust the fan speed (high, medium or low speed) according to ambient temperature.
- Fan speed under dry mode is low speed.

## 5 button (Not applicable for this unit)

## 6 button (Not applicable for this unit)

## 7 HEALTH|SAVE button

### HEALTH FUNCTION:

After pressing HEALTH button, remote controller will switch circularly as below:  
"HEALTH"→"AIR"→"AIR HEALTH"→"no display"

- When selecting "HEALTH" by remote controller, HEALTH function will be started up.
- When selecting "AIR" by remote controller, AIR function will be started up. (Not applicable for this unit)
- When selecting "AIT HEALTH", AIR and HEALTH function will be started up.
- When there's no display on remote controller, AIR and HEALTH function will be turned off.

# Introduction for buttons on remote controller

## SAVE function:

Under cool mode, press SAVE button and the unit will operate under SAVE mode. Dual-8nixie tube on remote controller displays "SE". Air conditioner will operate at auto speed. Set temperature can't be adjusted. Press SAVE button again to exit SAVE mode. Air conditioner turn back to original set speed and set temperature.

- This function is applicable to partial of models.

## 8 X-FAN button

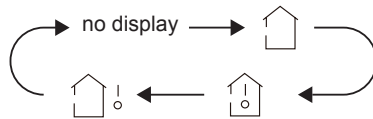
After pressing this button under cooling or dry mode, remote controller displays the character of "X-FAN" and X-FAN function is started up. Press this button again to cancel X-FAN function. The character of "X-FAN" will disappear.

### Note:

- After starting up X-FAN function, when turning off the unit, indoor fan will continue to operate for a while at low speed to dry the residual water inside the the unit.
- When the unit operates under X-FAN mode, press "X-FAN" button can turn off X-FAN function. Indoor fan stops operation immediately.

## 9 TEMP button

Press this button can see indoor set temperature, indoor ambient temperature or outdoor ambient temperature on the unit's display. Temperature is set circularly by remote controller as below:



- When selecting "🏠" by remote controller or no display, temperature indicator on the unit displays set temperature.
- When selecting "🏠°" by remote controller, temperature indicator on the unit displays indoor ambient temperature.
- When selecting "🏠°." by remote controller, temperature indicator on the unit displays outdoor ambient temperature.

### Note:

- Outdoor ambient temperature display may can't be selected for some models. When the unit receives "🏠°." signal, it displays indoor set temperature.
- Only for the model whose the unit has dual-8 display.

## 10 TIMER button

- At ON status, press this button once can set TIMER OFF. The character of HOUR and OFF will flash. Press "+" or "-" button within 5s can adjust the time of TIMER ON. After each pressing of "+" or "-" button, time will increase or decrease half an

## Introduction for buttons on remote controller

hour. When holding "+" or "-" button, 2s later, the time will change quickly until to reach to your required time. After that, press "TIMER" button to confirm it. The character of HOUR and OFF won't flash again.

Cancel TIMER OFF: Press "TIMER" button again under TIMER OFF status.

- At OFF status, press this button once can set TIMER ON. Please refer to TIMER off for detailed operation.

Cancel TIMER ON: Press "TIMER" button again under TIMER ON status.

### Note:

- Time setting range: 0.5-24 hours.
- Time interval between two operations can't exceed 5s. Otherwise, remote controller will exit the setting status automatically.

### 11 TURBO button (Not applicable for this unit)

When pressing this button under cooling or heating mode, air conditioner will enter into quick cooling or quick heating mode. The character of "TURBO" is displayed on remote controller. Press this button again to exit turbo function and the character of "TURBO" will be disappeared on remote controller.

### 12 SLEEP button

Press this button under cooling, heating mode can start up sleep function.

"☾" icon will be displayed on remote controller. Press this button again to cancel sleep function. "☾" icon on remote controller will be displayed.

### 13 LIGHT button

Press this button can turn off the light for the unit's display. "💡" icon on remote controller will disappear. Press this button again to turn on the light for the unit's display. "💡" icon on remote controller will be displayed.

## Function introduction for combination buttons

### Child lock function

Press "+" and "-" buttons simultaneously can turn on or turn off child lock function. When child lock function is started up, "🔒" icon will be displayed on remote controller. If operate remote controller, "🔒" icon will flash three times, while remote controller won't send signal.


### Switchover function for temperature display

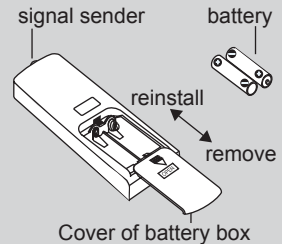
After turning off the unit by remote controller, press "-" button and "MODE" button simultaneously to switch between °C and °F .

## Operation guide

1. After putting through the power, press " ON/OFF " button on remote controller to turn on the air conditioner.
2. Press " MODE " button to select your required mode: AUTO, COOL, DRY, FAN, HEAT.
3. Press "+" or "-" button to set your required temperature. (Temperature can't be adjusted under auto mode).
4. Press " FAN " button to set your required fan speed: auto, low, medium and high speed.

## Replacement of batteries in remote controller

1. Press the back side of remote controller marked with "  ", as shown in the fig, and then push out the cover of battery box along the arrow direction.
2. Replace two 7# (AAA 1.5V) dry batteries, and make sure the position of "+" polar and "-" polar are correct.
3. Reinstall the cover of battery box.



### NOTICE

- During operation, point the remote control signal sender at the receiving window on the unit.
- The distance between signal sender and receiving window should be no more than 8m, and there should be no obstacles between them.
- Signal may be interfered easily in the room where there is fluorescent lamp or wireless telephone; remote controller should be close to the unit during operation.
- Replace new batteries of the same model when replacement is required.
- When you don't use remote controller for a long time, please take out the batteries.
- If the display on remote controller is fuzzy or there's no display, please replace batteries.

# Clean and Maintenance

## **! WARNING:**

- Before cleaning the air conditioner, please turn off the unit and disconnect power. Otherwise, it may cause electric shock.
- Do not wash air conditioner with water. Otherwise, it may cause electric shock.
- Do not use volatile liquid (such as thinner or gas) to clean the air conditioner. Otherwise, it may damage the appearance of air conditioner.

## Clean outer case and grille

### Clean outer case:

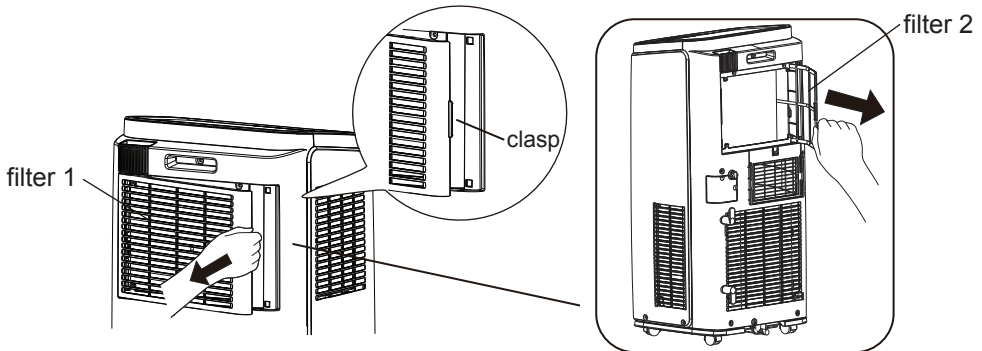
If there's dust on the surface of outer case, please use soft towel to wipe it. If the outer case is very dirty (such as grease), please use neutral abluent to wipe it.



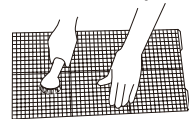
**Clean grille:** Use cleaner or soft brush to clean it.

## Clean filter

1. Remove the filter
  - a. Press the clasp as shown in the fig, and then remove the filter 1;
  - b. Pull out the filter 2.



2. Clean filter  
Use cleaner or water to clean the filter. If the filter is very dirty (such as grease), use warm water 40 °C melted with neutral abluent to clean it and then put at shady place to dry it.
3. Install filter  
After the filter is cleaned and dried, reinstall it well.



## **NOTICE:**

- The filter should be cleaned about once every three months. If there's much dust in the operation environment, you can increase clean frequency.
- Do not dry the filter with fire or hair drier. Otherwise, it may be deformed or catch fire.

# Clean and Maintenance

## NOTICE

- The filter should be cleaned about once every three months. If there's much dust in the operation environment, you can increase clean frequency.
- Do not dry the filter with fire or hair drier. Otherwise, it may be deformed or catch fire.

## Clean heat discharge pipe

Remove the heat discharge pipe from air conditioner, clean and dry it , and then reinstall it. (For the method of installation and removal , please refer to the instruction for "Installation and disassembly of heat discharge pipe").

## Checking before use-season

1. Check whether air inlets and air outlets are blocked.
2. Check whether plug and socket are in good condition.
3. Check whether filter is clean.
4. Check whether batteries are installed in remote controller.
5. Check whether joint, window bracket and heat discharge pipe are installed tightly.
6. Check whether heat discharge pipe is damaged.

## Checking after use-season

1. Disconnect power supply.
2. Clean filter and outer case.
3. Remove dust and sundries on the air conditioner.
4. Eliminate accumulated water in chassis (refer to the section of "Drainage way" for details).
5. Check whether window bracket is damaged or not. If yes, please contact dealer.

## Long-time storage

If you don't use the air conditioner for a long time, please maintain it by following steps for good performance:

- Make sure there's no accumulated water in chassis and the heat discharge pipe is disassembled.
- Pull out the plug and wrap the power cord.
- Clean the air conditioner and pack it well to prevent dust.

## Notice for recovery

- Many packing materials are recyclable materials. Please deal with them through local recycle bin.
- If you want to throw away the air conditioner, please contact local division or consultant service center for the correct disposal method.

# Malfunction analysis

Please check below items before asking for maintenance. If the malfunction still can't be eliminated, please contact local dealer or qualified professionals.

Phenomenon	Troubleshooting	Solution
Air conditioner can't operate	● Power failure?	● Wait after power recovery.
	● Is plug loose?	● Reinsert the plug.
	● Whether the air switch is tripped off or fuse is burnt?	● Ask professional person to replace air switch or fuse.
	● Is there's malfunction for the circuit?	● Ask professional person to replace circuit.
	● Whether the unit is restarted up after stopping immediately?	● Wait for 3min, and then turn on the unit again.
Poor cooling (heating)	● Is the power too low?	● Wait after voltage is resumed.
	● Whether the air filter is too dirty?	● Clean the air filter.
	● Whether the set temperature is proper?	● Adjust the temperature.
	● Whether door and window are closed?	● Close door and window.
Air conditioner can't receive signal from remote controller or remote controller is not sensible.	● Whether the unit is interfered seriously (such as static pressure, unstable voltage)?	● Please pull out the plug. Insert the plug after about 3min, and then turn on the unit.
	● Whether remote controller is within the receiving range?	● The receiving range of remote controller is 8m. Do not exceed this range.
	● Whether it's blocked by obstacles?	● Remove the obstacles.
	● Is sensitivity of remote controller low?	● Check the batteries of remote controller. If the power is low, please replace the batteries.
	● Whether there's fluorescence lamp in the room?	● Move the remote controller close to air conditioner. ● Turn off the fluorescence lamp and try it again.

# Malfunction analysis

Phenomenon	Troubleshooting	Solution
No fan blowed out from air conditioner	<ul style="list-style-type: none"> <li>• Whether air outlet or air inlet is blocked?</li> </ul>	<ul style="list-style-type: none"> <li>• Eliminate the obstacles.</li> </ul>
	<ul style="list-style-type: none"> <li>• Under heating mode, whether indoor temperature ireaches set temperature?</li> </ul>	<ul style="list-style-type: none"> <li>• The unit will stop blowing fan after reaching set temperature.</li> </ul>
	<ul style="list-style-type: none"> <li>• Whether heating mode is started up just now?</li> </ul>	<ul style="list-style-type: none"> <li>• In order to prevent cold air, air conditioner will delay for a while to be started up, which is the normal phenomenon.</li> </ul>
	<ul style="list-style-type: none"> <li>• Whether evaporator is defrosted? (observe it by pulling out the filter)</li> </ul>	<ul style="list-style-type: none"> <li>• It's the normal phenomenon. Air conditioner is defrosting. After defrosting is finished, it will resume operation.</li> </ul>
Set temperature can't be adjusted.	<ul style="list-style-type: none"> <li>• Whether the unit operates under auto mode?</li> </ul>	<ul style="list-style-type: none"> <li>• Temperature can't be adjusted under auto mode.</li> </ul>
	<ul style="list-style-type: none"> <li>• Whether the required temperature exceeds the temperature setting range?</li> </ul>	<ul style="list-style-type: none"> <li>• Temperature setting range: 16°C-30°C .</li> </ul>
There's off flavour	<ul style="list-style-type: none"> <li>• There's off-flavour source in the room, such as furniture, cigarette etc.</li> </ul>	<ul style="list-style-type: none"> <li>• Eliminate the off-flavour source.</li> <li>• Clean the filter.</li> </ul>
There's abnormal sound during operation	<ul style="list-style-type: none"> <li>• Whether the unit is interfered by thunder, radio, etc?</li> </ul>	<ul style="list-style-type: none"> <li>• Disconnect power, put through the power again, and then turn on the unit again.</li> </ul>
You can heard water-flowing sound	<ul style="list-style-type: none"> <li>• Whether the unit is turned on or turned off just now?</li> </ul>	<ul style="list-style-type: none"> <li>• There's flowing sound of refrigerant inside the air conditioner, which is the normal phenomenon.</li> </ul>
You can heard the sound of "PAPA"	<ul style="list-style-type: none"> <li>• Whether the unit is turned on or turned off just now?</li> </ul>	<ul style="list-style-type: none"> <li>• Heat expansion or shrinkage for the panel due to change of temperature, which cause friction sound.</li> </ul>



# Malfunction analysis

## Malfunction code

E5	Overcurrent protection.	Disconnect power, and then turn on the unit again after 10min. If "E5" still exists, please contact professional person to maintain the unit.
H8	Chassis is full of water.	1. Pour out the water inside chassis. 2. If "H8" still exists, please contact professional person to maintain the unit.
F1	Malfunction of ambient temperature sensor.	Please contact professional person to deal with it.
F2	Malfunction of evaporator temperature sensor.	Please contact professional person to deal with it.
F0	1.Refrigerant is leaking 2.System is blocked	1. Re-energize the unit after turning off and pulling out the plug for 30min; 2. If there's still malfunction, please contact after-sales service.
H3	Overload protection for compressor	1.Check if the unit is under high-temperature and high-humidity environment; if ambient temperature is too high, power off the unit and then energize it for operation after the ambient temperature drops to 35℃ below. 2. Check if the evaporator and condenser are blocked by some objects; if yes, take away the objects, power off the unit and then energize it for operation.
E8	Overload malfunction	3. If the malfunction still occur, please contact our after-sales service center.
F4	Outdoor tube temperature sensor is open/short-circuited.	Please contact after-sale service person to deal with it.



## WARNING

- If there're following phenomenon, please turn off the air conditioner and disconnect the power immediately, and then contact dealer immediately.
  - Power cord is overheating or damaged.
  - Abnormal sound during operation.
  - Off-flavor.
  - Water leakage
- Do not repair or refit the air conditioner by yourself.
- If operate the air conditioner under abnormal condition, it may cause malfunction, electric shock or fire hazard.



[www.cooperandhunter.com](http://www.cooperandhunter.com)

**MANUFACTURER: GREE ELECTRIC APPLIANCES, INC. OF ZHUHAI**

Add: West Jinji Rd, Qianshan, Zhuhai, Guangdong, China, 519070



66160000460